

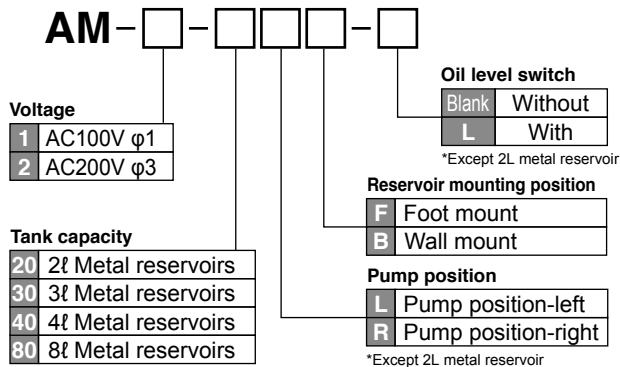
Automatic (intermittent & continuous) gear pump

AM

High durability and low revolution gear pump.



Model Reference

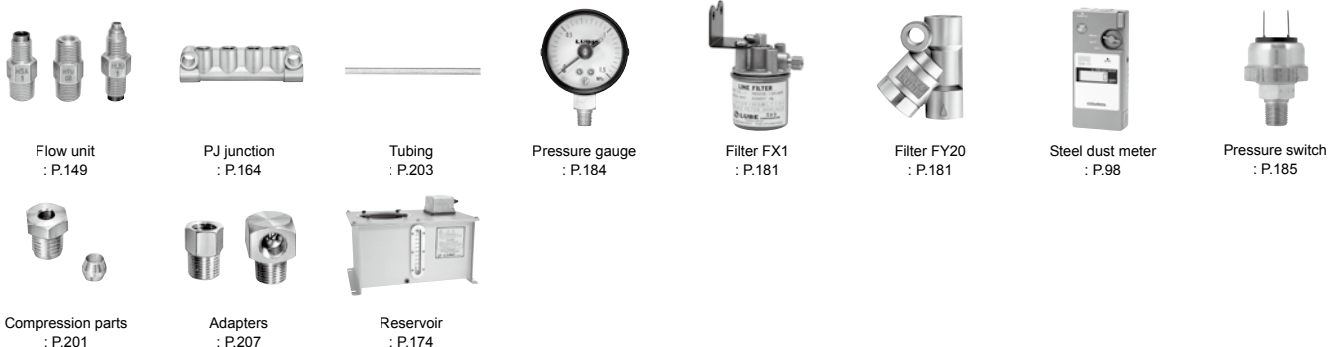


Specifications

| | | |
|---|-----------------------------------|--|
| Pump | Discharge volume | 50mℓ/min(50HZ), 60mℓ/min(60HZ) 10 - 300m/hour Changeable by adjusting the cam |
| | Discharge pressure | 0.8MPa (Safety valve set pressure) |
| Motor (Capable of coping with a different voltage) | Working voltage/ Working current | AC100Vφ1 25W: 0.51/0.52A AC200Vφ3 25W: 0.23/0.21A |
| | Output | Induction generator B-class, 4P 25W |
| Oil level switch | Optional on the reservoirs flange | |
| Rated operation | Continuous | |
| Working viscosity range | 32 - 1300mm ² /s | |
| Weight | AM: 5.4kg ADM: 5.9kg | |
| Others | Direction of rotation: CCW | |
| | Condenser 100V 8μF | |
| External fuse | 100V/1A 200V/0.5A | |

* Contact us if the working viscosity range of the oil exceeds 1300mm²/s

Related parts



Relational table between cam setting, interval time and discharge volume

| Cam No. | Interval time | | Discharge volume per a cycle (ml) | Discharge volume per hour (ml) | | Required time to discharge 1L. | |
|---------|---------------|------------|-----------------------------------|--------------------------------|------|--------------------------------|---------|
| | 50Hz | 60Hz | | 50Hz | 60Hz | 50Hz | 60Hz |
| 1 | 30min | 25min | 5 | 8 | 10 | 125hour | 100hour |
| 2 | 30min | 25min | 10 | 15 | 20 | 66hour-40min | 50hour |
| 3 | 30min | 25min | 15 | 23 | 30 | 43hour-28min | 35hour |
| 4 | 30min | 25min | 20 | 30 | 40 | 33hour-20min | 25hour |
| 5 | 7min-30sec | 6min-15sec | 10 | 75 | 100 | 13hour-20min | 10hour |
| 6 | 7min-30sec | 6min-15sec | 15 | 113 | 150 | 8hour-50min | 7hour |
| 7 | 7min-30sec | 6min-15sec | 20 | 150 | 200 | 6hour-40min | 5hour |
| 8 | 7min-30sec | 6min-15sec | 30 | 225 | 300 | 4hour-26min | 3hour |

Model

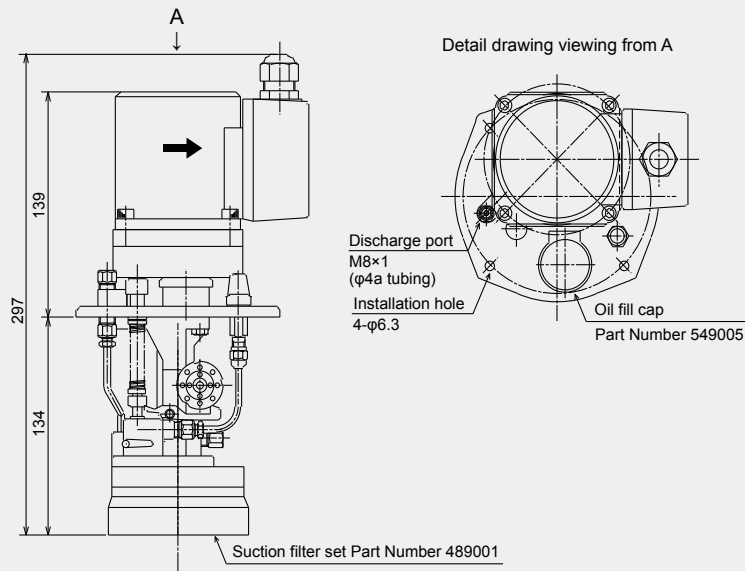
| Model | Part Number |
|-------|-------------|
| AM-1 | 102054 |
| AM-2 | 102050 |

Directions for use

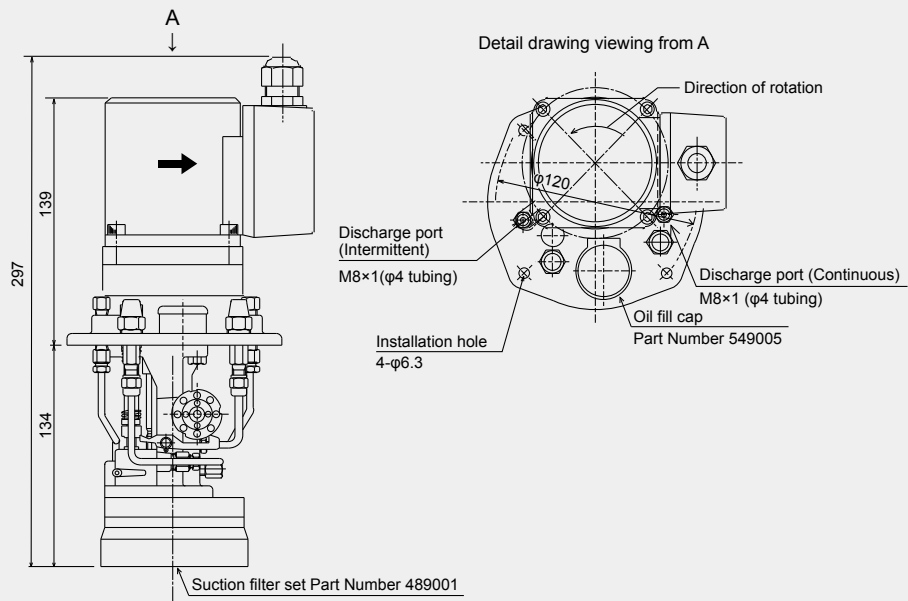
- Oil viscosity varies with oil temperature. Be sure to use oil within the working viscosity range. Refer to the viscosity table. (P.237)
- Do not use any oil containing special additives, water soluble oil, or solvent.
- Periodically check the oil in the reservoir for impurities. Replace with fresh oil immediately, if necessary. Be sure to clean the reservoir before oil adding new oil.
- Do not over tighten the discharge joint. Refer to the tightening torque table. (P.251)
- Make sure that proper voltage and pressure are proper.
- Replace the suction filter at least once a year.
- Check the direction of motor rotation. Change U and W of three-phase connection to change the direction of rotation. Do not lie upside down or sideways pump.

Dimensional drawing

[AM]



[ADM]



Improper handling can result in a death or serious injury



Electrical shock may be received under certain conditions



Be sure to ground.

Wiring diagram

Three phase power supply

U V W



Power

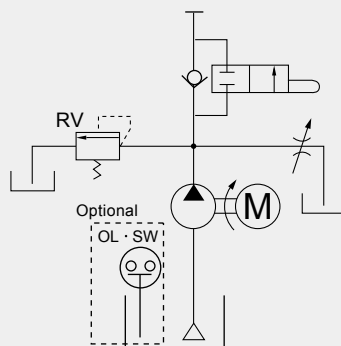
Single phase power supply

U₁ U₂ Z₂

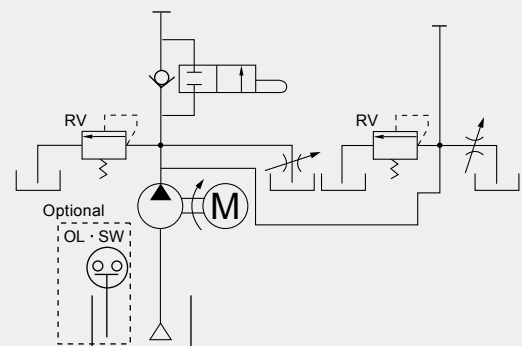


Power

Hydraulic circuit drawing



[AM]



[ADM]