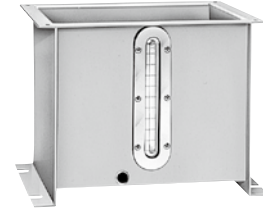


Metal reservoirs

2ℓ

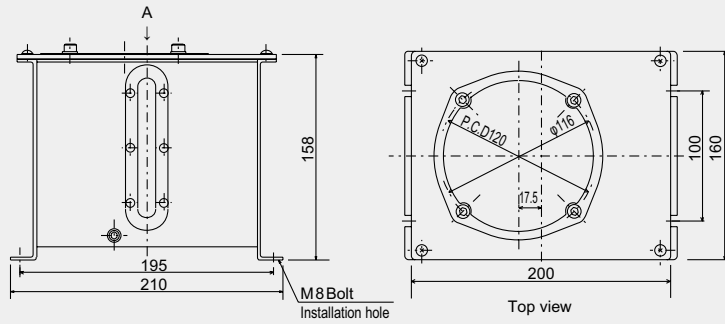


Model

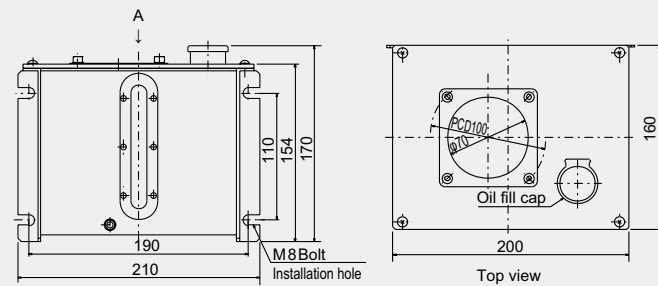
| Applicable pump | Model | Part Number | Mounting |
|---------------------|----------|-------------|----------|
| ACM-II, AM, ADM | T-20L-AF | 104301 | Foot |
| | T-20L-AB | 104401 | Back |
| AMI-300S, AMI-300 | T-20L-HF | 104303 | Foot |
| | T-20L-HB | 104403 | Back |
| AMI-1000S, AMI-1000 | T-20L-KF | 104302 | Foot |
| | T-20L-KB | 104402 | Back |

Material: SPCC Total capacity: 3.2L Useful capacity: 2.1L Coating color: Silver

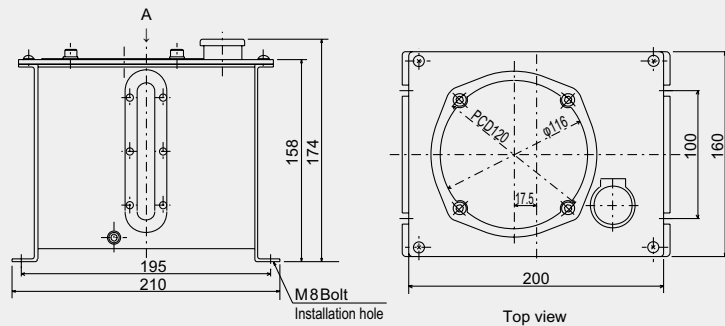
Dimensional drawing



[T-20L-AF] Part Number 104301



[T-20L-HB] Part Number 104403



[T-20L-KF] Part Number 104302