

Oil level switch

Use for oil level detection.

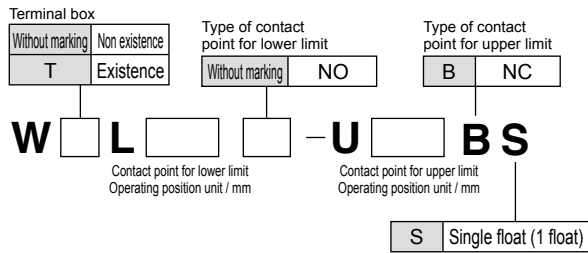


[W-105-02]

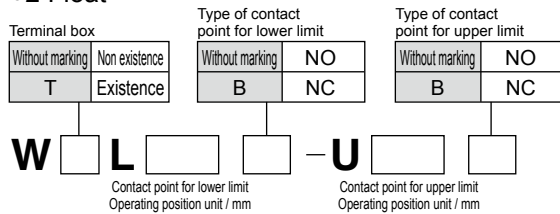


[W-105B]

•1 Float



•2 Float



Specifications

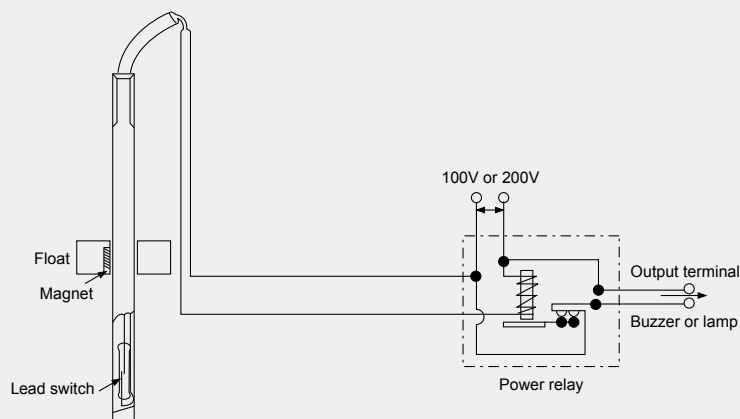
Contact type	(NO) On at low level (NC) Off at low level
Contact capacity	0.5A,AC DC200V/30W smaller
Working teperature range	-10 - 80°C (limited to liquid in nonfreezing condition)
Working liguid specific gravity	over 0.7
Max. pressure	0.1MPa

Model

Model	Part Number	Contact type	Specification
W-105-02	109704	NO	Without terminal box Cord length 20cm
W-105-02 (B)	109705	NC	
W-105B	109706	NO	With terminal box
W-105B (B)	109707	NC	

Model	Part Number	Terminal box	
WL-100-U30BS	109221	-	
WL-105-U32BS	109222		
WL-120-U50BS	109223		
WL-150-U35BS	109224		
WL-150-U50BS	109225		
WL-160-U80BS	109226		
WL-190-U80BS	109227		
WL-210-U50BS	109228		
WTL-100-U30BS	109271		○
WTL-105-U32BS	109272		
WTL-120-U50BS	109273		
WTL-150-U35BS	109274		
WTL-150-U50BS	109275		
WTL-160-U80BS	109276		
WTL-190-U80BS	109277		
WTL-210-U50BS	109278		

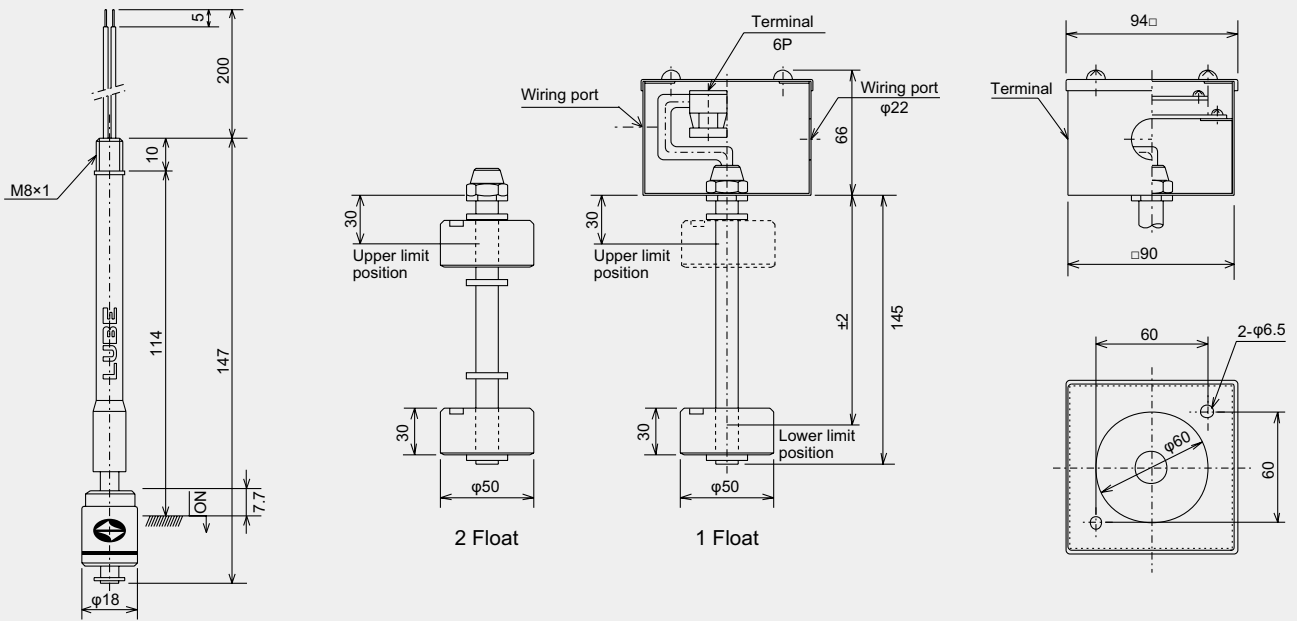
Examples for using oil level switch



Dimensional drawing

[W-105-02]

[WTL]



Float Positions

Example : 1 float

Example : 2 float

