

Filter / Strainer

In-Line oil filters help eliminate contamination from the oil supply before the metering devices.



[FX1-4]



[FY20]



[RF-250]



[F3-6-125]

Model

Line Filter

Model	Part Number	Connect- ing port	Normal working pressure (MPa)	Pres- sure Loss	Filtra- tion rating	Additional parts	
FX1-4	109311	M8x1	1.0	0.1	40μ	SA4-16	
FX1-6	209311	M10x1				SA6-20	
F3-4-125	109308	M8x1	Max.2.9		125μ	SA4-16	
F3-6-125	209308	M10x1			40μ	SA6-20	
F3-6-40	209310						
F3-6-10	209309				0.15	10μ	
FY20	109313	Rc1/8	2.5	0.1	20μ	—	

Replacement Filter Element

Model	Part Number	Filtration rating
FXE	259304	40μ
F3E-125	259311	125μ
F3E-40	259312	40μ
F3E-10	259313	10μ

Sintered Strainer

Model	Part Number	Filtration rating	Material
FYE	650147	20μ	BC3

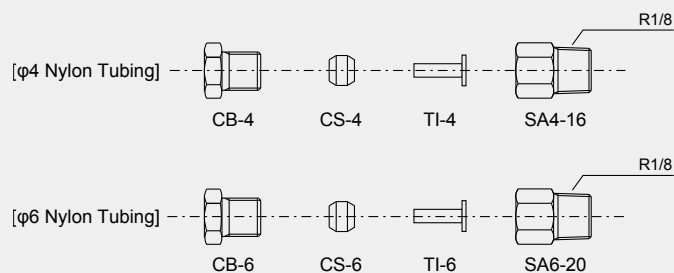
Recirculation Filter

Model	Part Number	Filtration rating
RF-250	109317	250μ

Strainer

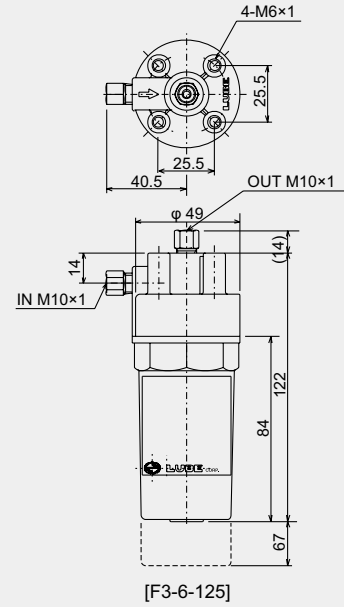
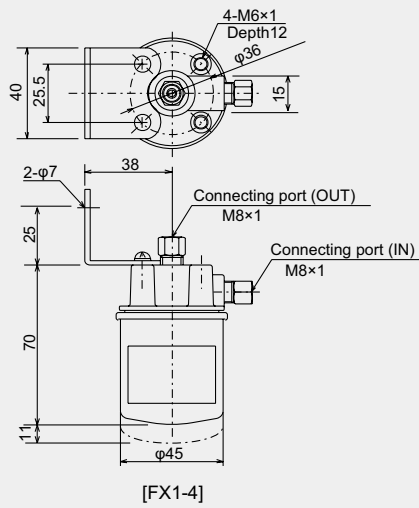
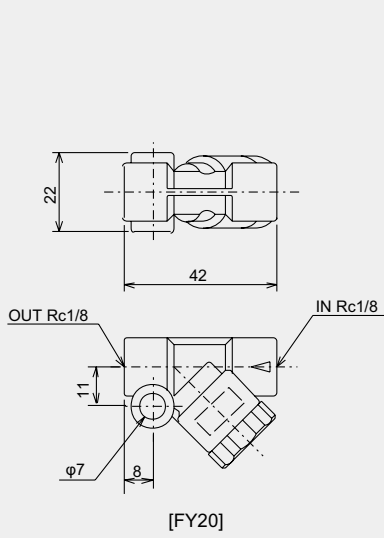
Model	Part Number	D	H	L	d	d1	P	Installation Screw
SAB-30	259353	56	33	44	30	35	48	4-M4
SAB-40	259354	65	34	69	40	45	57	
SAB-50	259355	80	34	135	50	56	75	4-M5
SAB-70	259358	108	70	120	70	80	100	6-M6

Connecting parts

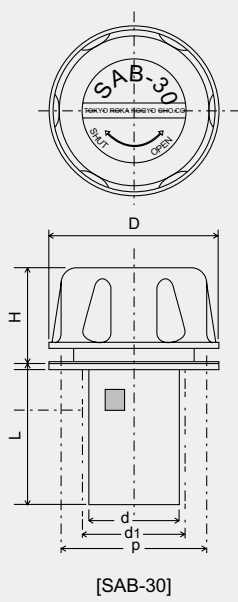


Dimensional drawing

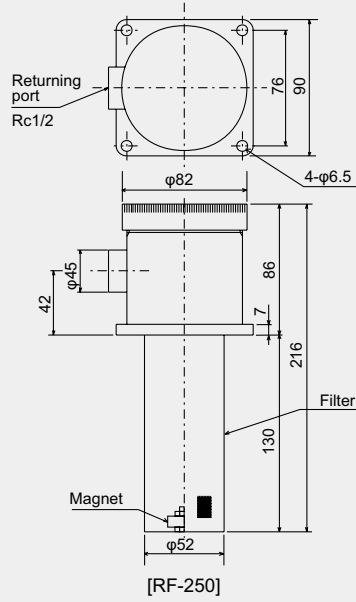
[Line filter]



[Strainer]



[Recirculation filter]



[Element / Strainer]

