

# ■ Tubing Parts

## Compression parts

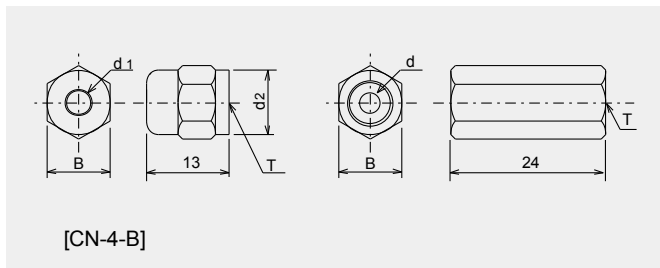
Used for connecting tubing to junctions, adapters and metering valves.

RoHS compliant products are also available. Please contact LUBE for details.



Some parts are available with standard threads. Contact us LUBE.

### ■ Dimensional drawing



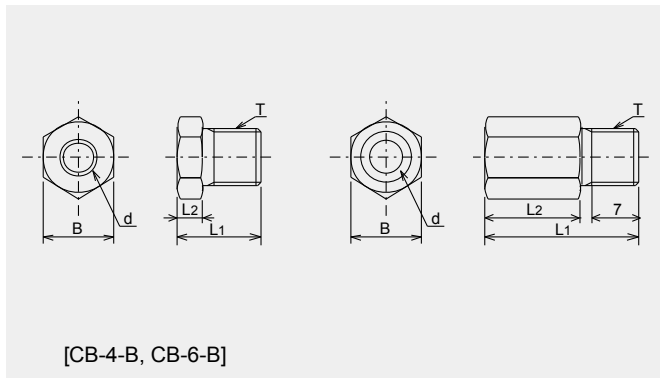
### ■ Model

#### Compression nut

Model	Part Number	Tubing O.D. (φ)	T	d1 (φ)	d2 (φ)	B
CN-4	106251	4	M8×1	4.2	10	10
CN4-B	166268				—	
CN-6	206251	6	M10×1	6.2	12	12

Material : C3604

CN-4-B is special parts for braided tubing.

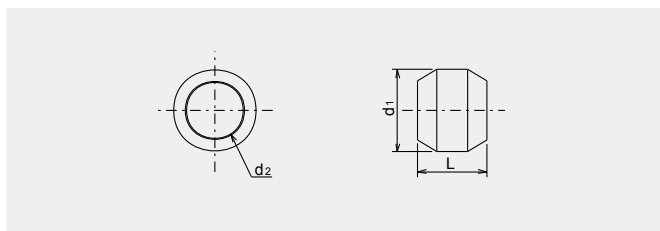


#### Compression bushing

Model	Part Number	Tubing O.D. (φ)	T	d1 (φ)	L1	L2	B
CB-4-10	106252	4	M8×1	4.2	11.6	4	10
CB-4-8	106253				20	12	8
CB-4-B	166253				20	12	
CB-6	206252	6	M10×1	6.2	12.5	4	10
CB-6-B	166255				20	12	
CB-8	207252	8	M14×1.5	8.2	18.5	4.5	14

Material : C3604

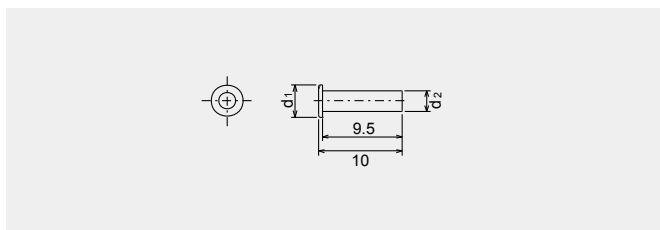
CB-4B and CB-6-B are special parts for Braided tubing.



#### Compression sleeve

Model	Part Number	Tubing O.D. (φ)	d1 (φ)	d2 (φ)	L
CS-4	106254	4	6	4.1	5
CS-6	206254	6	8	6.1	6
CS-8	207254	8	10	8.1	6.5

Material : C3604



#### Tube insert (For nylon tubing)

Model	Part Number	Tubing O.D. (φ)	d1 (φ)	d2 (φ)
TI-4	106271	4	3.8	2.5
TI-6	206271	6	5.8	4
TI-8	207271	8	7.8	6

Material : C3604