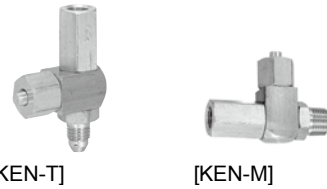
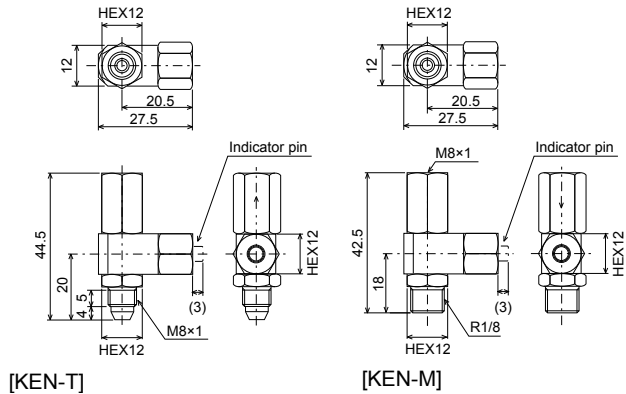


# Indicator pin



## Dimensional drawing



## Model

Model	Part Number	Specifications
KEN-T	106672	Installs at valves
KEN-M	106673	Installs at lubrication point

# Sight feed

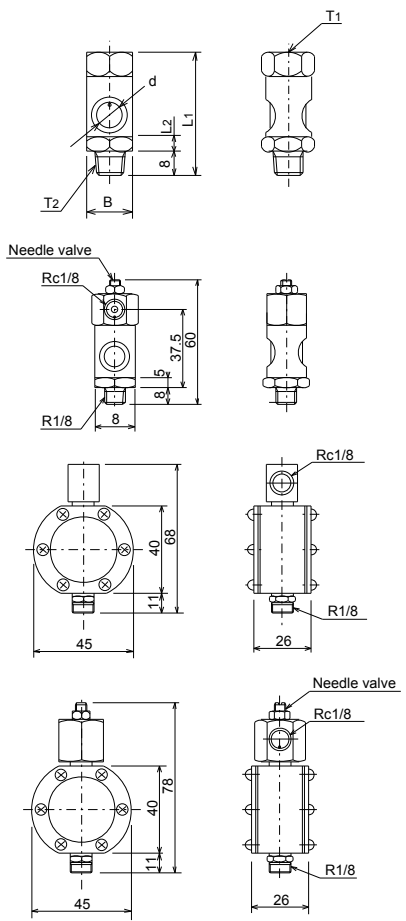
Visual performance indicators.



## Directions for use

- Clogging and/or high back-pressure at the termination points could hinder lubricant flow.
- Operational temperature range : 0 - 70°C.

## Dimensional drawing



## Model

Model	Part Number	T <sub>1</sub>	T <sub>2</sub>	B	L <sub>1</sub>	L <sub>2</sub>	d	Specifications
SFB-4	106501	M8x1	Rc1/8	15	41	6	9	Gravity Feed
SFB-R	106502		M8x1					
SFB-RA	106503							
SFB-RL	106504	Rc1/8	Rc1/8	19	44	5	12	Pressure Feed
SF-R	106505							
SF-RA	106506		M8x1	15	41	6	9	

Model	Part Number	Specifications
SFB-N	106510	Gravity Feed with Needle
SF-N	106511	Pressure Feed with Needle

Model	Part Number	Specifications
SF-D	106520	Pressure Feed

Model	Part Number	Specifications
SFB-DN	106521	Gravity Feed with Needle

Tubing Parts