

# Drive bushing/Barb fitting

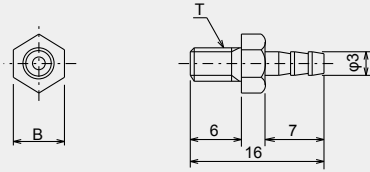
Used with nylon tubing with 4mm O.D. and 2.5mm I.D.

RoHS compliant products are also available.  
Please contact LUBE for details.

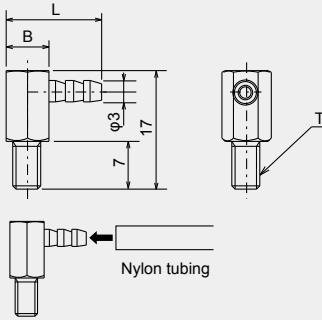


## Dimensional drawing

### Drive bushing / Barb fittings (Threaded type)



### Elbow drive bushing / Barb fittings (Threaded type)



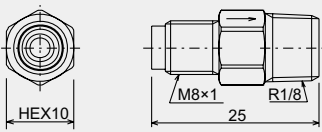
## Model

| Model  | Part Number | Specification | T       | B |
|--------|-------------|---------------|---------|---|
| STE-4A | 106931      | Threaded type | M4×0.7  | 6 |
| STE-5A | 106933      |               | M5×0.8  |   |
| STE-6B | 106935      |               | M6×0.75 | 8 |
| STE-6A | 106936      |               | M6×1    |   |
| STE-8B | 106937      |               | M8×1.25 |   |

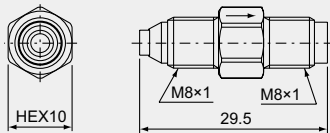
| Model  | Part Number | Specification | T       | L    | B |
|--------|-------------|---------------|---------|------|---|
| ETE-4A | 106911      | Threaded type | M4×0.7  | 13.5 | 6 |
| ETE-5A | 106913      |               | M5×0.8  | 15   | 8 |
| ETE-6B | 106915      |               | M6×0.75 |      |   |
| ETE-6A | 106916      |               | M6×1    |      |   |
| ETE-8B | 106917      |               | M8×1.25 | 16   | 9 |

# Check valves

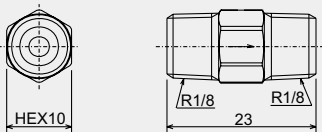
## Dimensional drawing



[HSAC]



[HJBC]



[HTUC]

## Model

| Model | Part Number | Operation Pressure (MPa) |
|-------|-------------|--------------------------|
| HSAC  | 109407      | 0.034                    |
| HJBC  | 109415      | 0.034                    |
| HTUC  | 109416      | 0.016                    |

### Directions for use

- Check and confirm flow direction and thread size.