

Positive Displacement Injector (PDI) System

EGH

Compact, low-cost manually operated pump



Reservoir type [EGH-3P]

Cartridge type [EGH-2C]

Cartridge type [EGH-4C]

Model Reference

EGH-□□

Type of reservoir (effective capacity)	
3P	Reservoir type (260ml)
2C	Cartridge type (200ml)
4C	Cartridge type (400ml)

Model

Model	Part Number
EGH-2C	103780
EGH-3P	103783
EGH-4C	103782

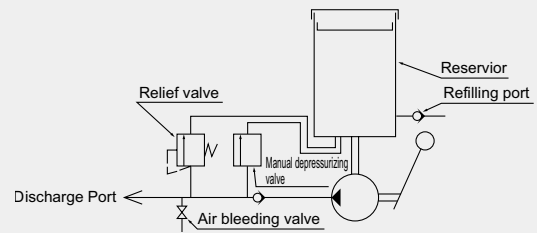
Directions for use

- Use recommended cartridge grease only.
- Never use greases containing molybdenum disulfide.
- Use lithium greases. (Contact LUBE for consultation when non-lithium greases must be used.)
- Do not use any greases containing substances that attack brass or rubber.
- When refilling reservoir or replacing cartridge, take care not to let foreign matter into the grease or pump.
- After refilling reservoir or replacing cartridge, bleed air from the pump by opening the air bleeding valve.
- Always return operating lever to locked position to relieve system pressure.

Specifications

EGH-3P		
Pump	Discharge volume	1ml/stroke
	Discharge pressure	10MPa (safety valve set pressure)
Working consistency	NLGI No.000, 00, 0, 1 (lithium grease)	
Recommended grease	MP0, FS2, MT1	
Reservoir Size	260ml	
Weight	1.4kg	
Pressure relief	Manual pressure relief lever	
EGH-2C / EGH-4C		
Pump	Discharge volume	1ml/stroke
	Max Discharge pressure	10MPa (safety valve set pressure)
Working consistency	Cartridge grease No.000, 00, 0, 1 (lithium grease)	
Recommended grease	MP0, FS2, MT1	
Cartridge size	200ml, 400ml Cartridge	
Weight	1.4kg	
Pressure relief	Manual pressure relief lever	

Hydraulic circuit drawing



Related parts



MG2 metering valve : P.61



MG2C metering valve : P.61



JVPA Junction : P.62



MG2I metering valve : P.63



Pressure gauge : P.95



Main tubing : P.203



Adapter assemblies : P.217



Pneumatic pump for pail : P.96



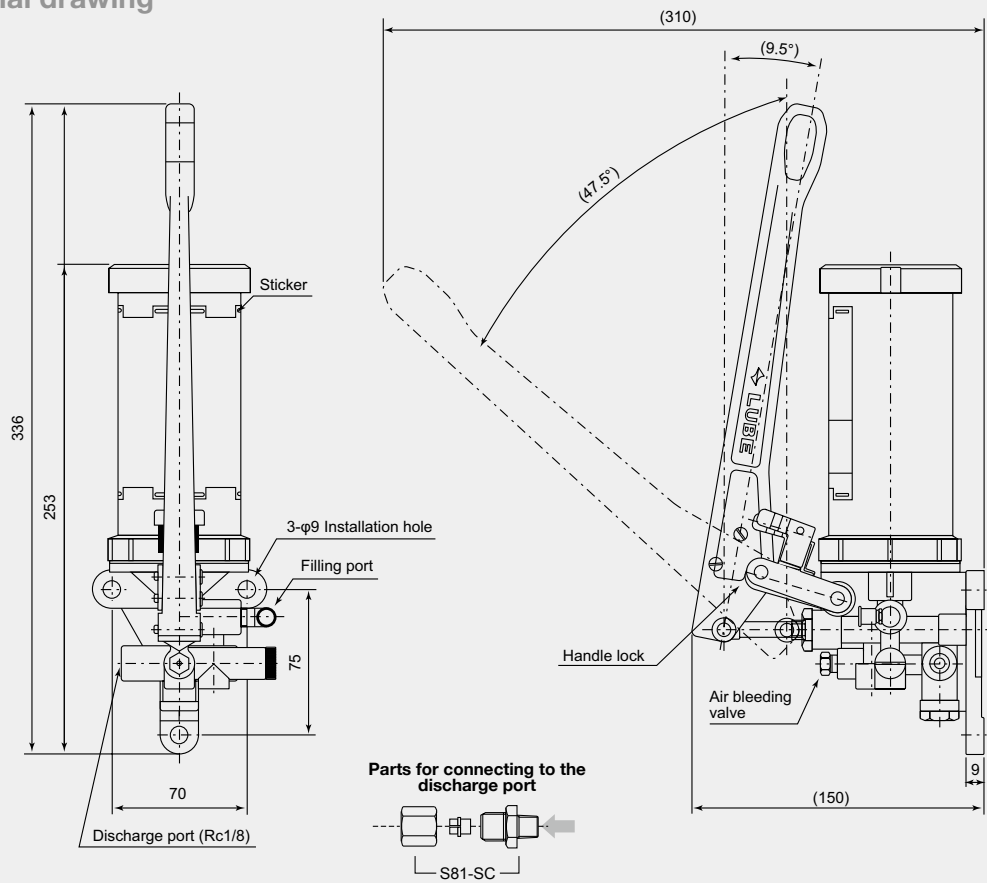
Hand grease gun : P.96



LUBE original grease : P.89

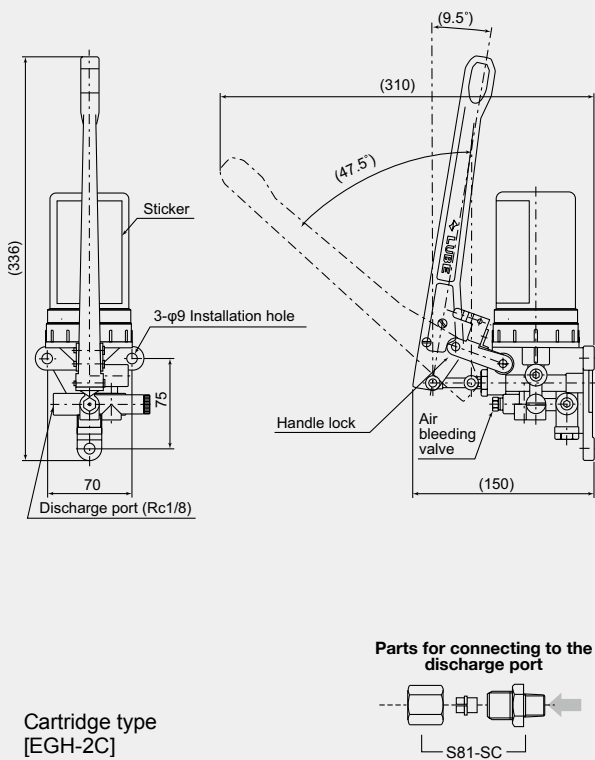
Dimensional drawing

Reservoir type
[EGH-3P]



Positive Displacement
Injector (PDI) System for
Small-Medium Machines

Cartridge type
[EGH-2C]



Cartridge type
[EGH-4C]

