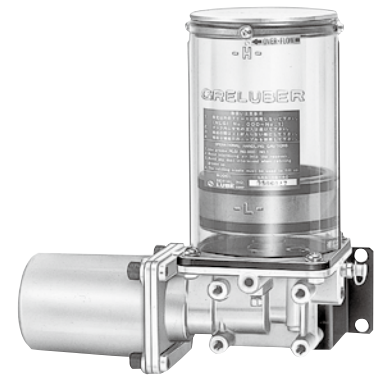


■ Pneumatic grease pump

GAS

Pneumatically operated grease pump for use with metering valves, or as a simple dispenser. Suitable for explosion-proof applications.



[GAS-8P]

Specifications

Pump	Discharge volume	16ml/Stroke(MAX)
	Discharge pressure	1:7 Air pressure / Grease pressure ratio. (E.g. : Air pressure 0.3MPa×7=2.1MPa)
Available air pressure range	0.3 - 0.56MPa(MAX)	
Working consistency	NLGI No.000, 00, 0 and 1 (Lithium grease)	
Recommended grease	MP0, FS2	
Grease level switch	Optional	
Reservoir capacity	800ml	
Weight	3.6kg	
Pressure relief	Automatic	

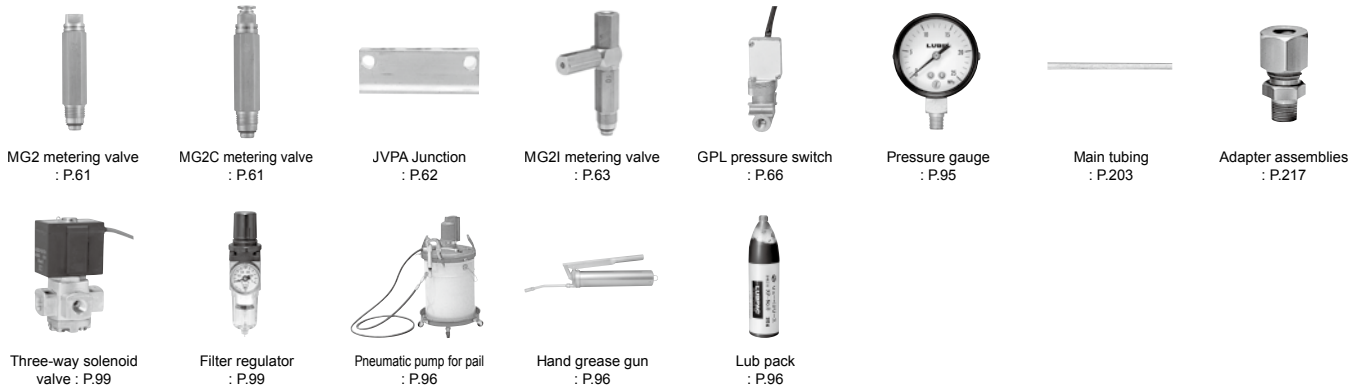
Model

Model	Part Number
GAS-8P	102621

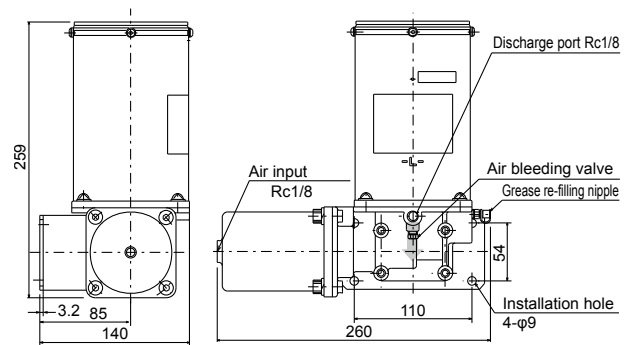
Directions for use

- Use recommended grease only.
- Never use greases containing molybdenum disulfide.
- Use lithium greases. (Contact LUBE for consultation when non-lithium greases must be used.)
- Do not use any greases containing substances that attack brass or rubber.
- When refilling reservoir, take care that foreign particles are not introduced.
- Do not discharge continuously.
- After refilling reservoir, bleed the air inside the pump by opening the air bleeding valve.

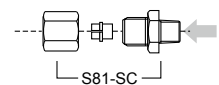
•Related parts



Dimensional drawing



Parts for connecting to the discharge port



Hydraulic circuit drawing

