

Pressure switch for grease system

GPL

GPL pressure switches are designed to be used with grease and are intended to be installed very near the end of the main line tubing. The design of the GPL allows grease to pass through the body of the switch making them extremely reliable and long lasting. GPL pressure switches are also available with a din plug option.



[GPL-30]



[GPL-30-D]

Specifications

GPL-30

Operating pressure	3.0MPa±20%	
Reset pressure	2.5MPa±20%	
Max. working pressure	10MPa	
Micro switch spec	Rated voltage	AC250V, DC30V
	Resistance load	2A(AC250V, DC30V)
	Service life:	200,000 switchings (loaded)
	Structural protection:	JIS moisture-tight, conforming to IEC IP67

GPL-55

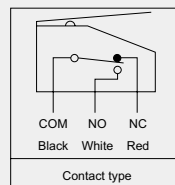
Operating pressure	5.5MPa±0.4MPa	
Micro switch spec	Rated voltage	AC250V, DC30V
	Resistance load	2A(AC250V, DC30V)
	Service life:	200,000 switchings (loaded)
	Structural protection:	JIS moisture-tight, conforming to IEC IP67

* Production lot is indicated by a number and letter code. Number indicates year of production, letter indicates month of production. [A(January)-L(December)]

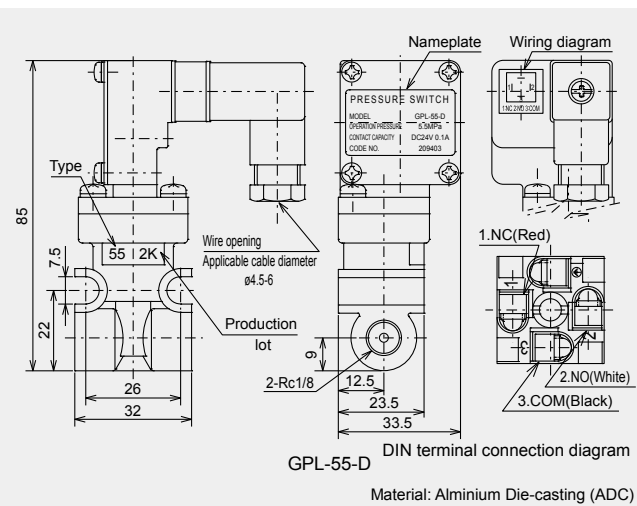
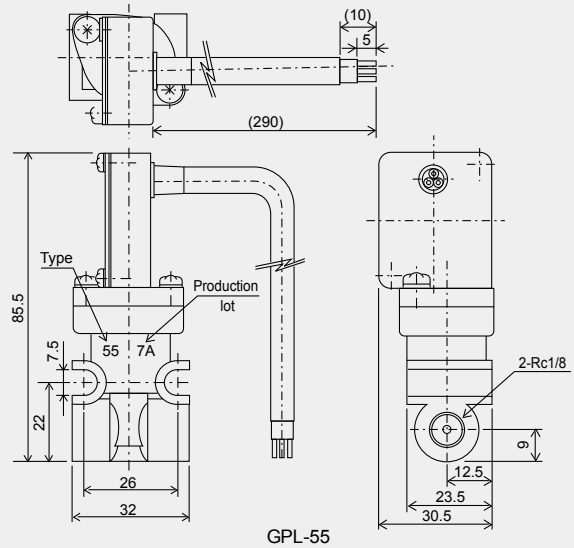
Model

Model	Part Number
GPL-30	209282
GPL-30-D	209409
GPL-55	209392
GPL-55-D	209403

Wiring diagram



Dimensional drawing



Material: Aluminium Die-casting (ADC)

Related parts



GMS-4-8P
: P.49



EGM-10S-4-7C
: P.51



EGH-3P
: P.53



EGH-4C
: P.53



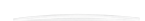
GAS-8P
: P.55



Pressure gauge
: P.95



Main tubing
: P.203



Branch tubing
: P.203



Adapter assemblies
: P.217



Compression parts
: P.201



Adapters
: P.207



KEN-T
: P.220



KEN-M
: P.220