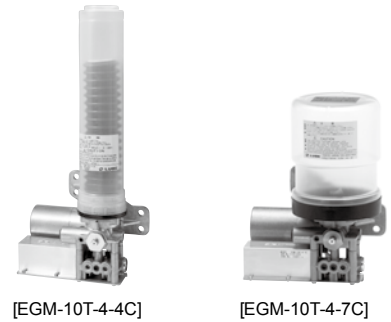


Dual-function motorized pump

EGM-T

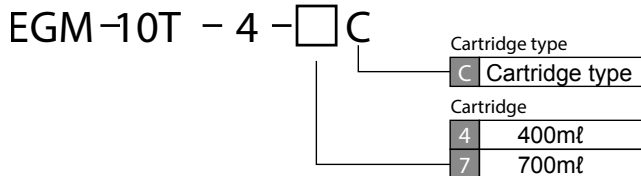
Designed to operate both PDI and series progressive systems by use of its built-in solenoid valve.



[EGM-10T-4-4C]

[EGM-10T-4-7C]

Model Reference



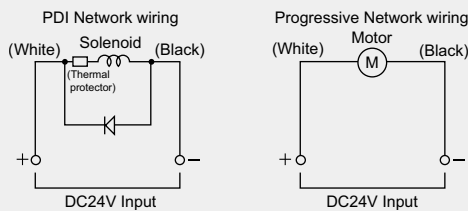
Model

Model	Part Number
EGM-10T-4-4C	103834
EGM-10T-4-7C	103835

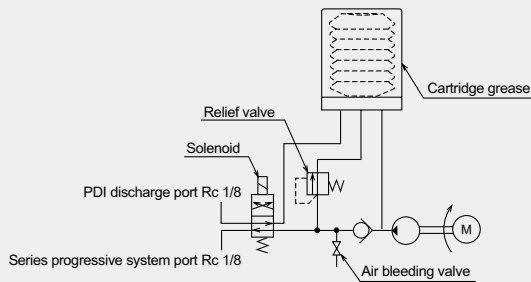
Specifications

Pump	Discharge volume	10mℓ/min
	Discharge pressure	10MPa (safety valve set pressure)
Power DC24V	Motor	20W/0.8A
	Pressure relief solenoid	26W/1.1A
	Total	46W/1.9A
Pressurization	Max. ON time: 7.5 min. (PDI Port)	
Power distribution rate	Max.25% (20°C)	
Working Viscosity	Cartridge Grease No.000,00,0,1	
Recommended grease	MP0, FS2, MT1	
Cartridge size	200mℓ, 400mℓ, 700mℓ	
Weight	1.78kg (2C), 1.83kg (4C), 1.8kg (7C)	
Pressure relief	Built-in solenoid	

Wiring diagram



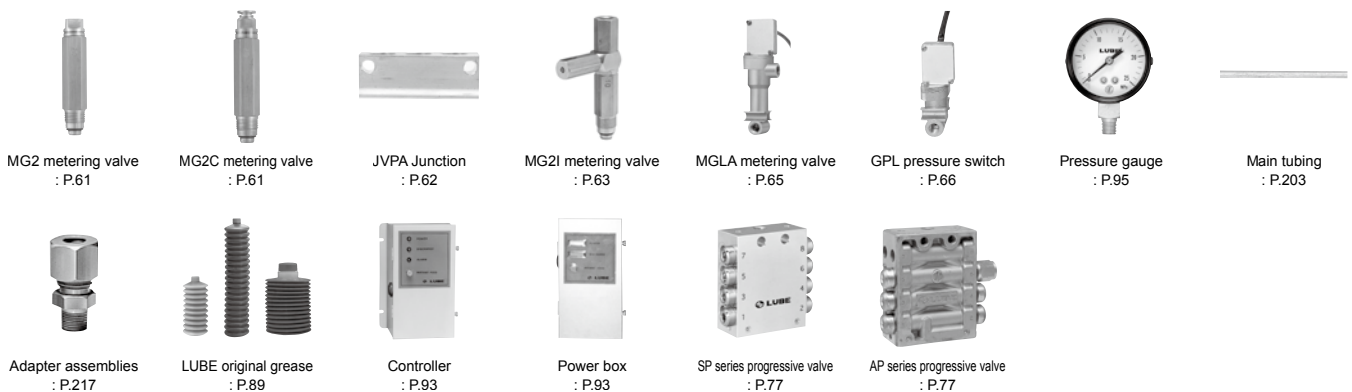
Hydraulic circuit drawing



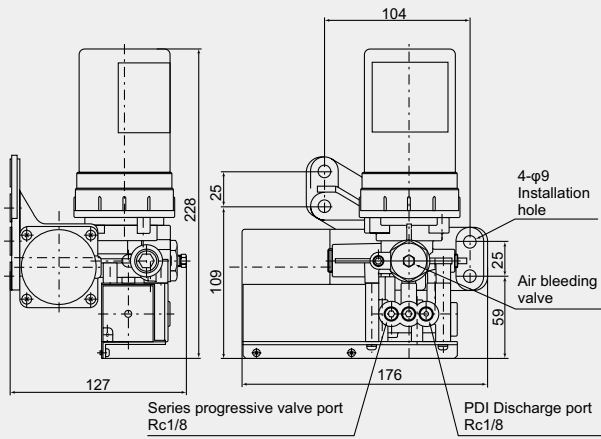
Directions for use

- Use recommended grease only.
- Never use greases containing molybdenum disulfide.
- Use lithium grease. (Contact LUBE for consultation when non-lithium greases must be used.)
- Do not use any greases containing substances that attack brass or rubber.
- Avoid continuous operation.
- Normal operation or when filling grease into the (PDI) main tubing, please remember to adhere to the 3 to 1 ratio for off time to running time not exceeding 7.5 minutes. Failure to follow this could result in permanent damage to the solenoid not allowing the pump to ever build pressure.
- When filling grease into the (progressive) main tubing there is no limitation of time which will damage the pump. Be cautious not to over lubricate your bearing surfaces.

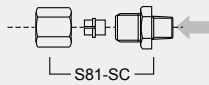
Related parts



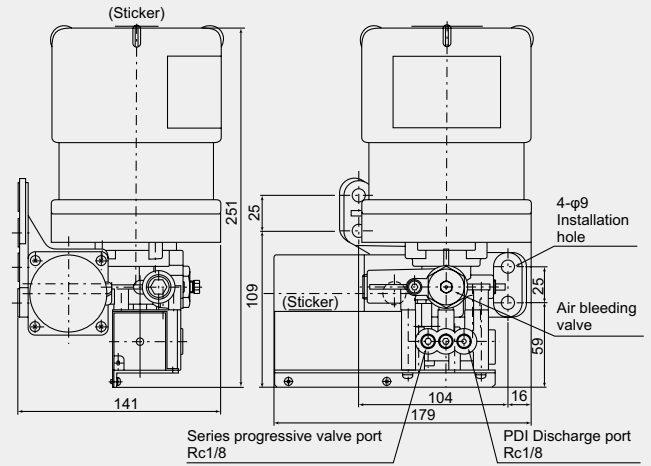
Dimensional drawing



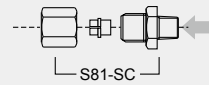
Parts for connecting to the discharge port



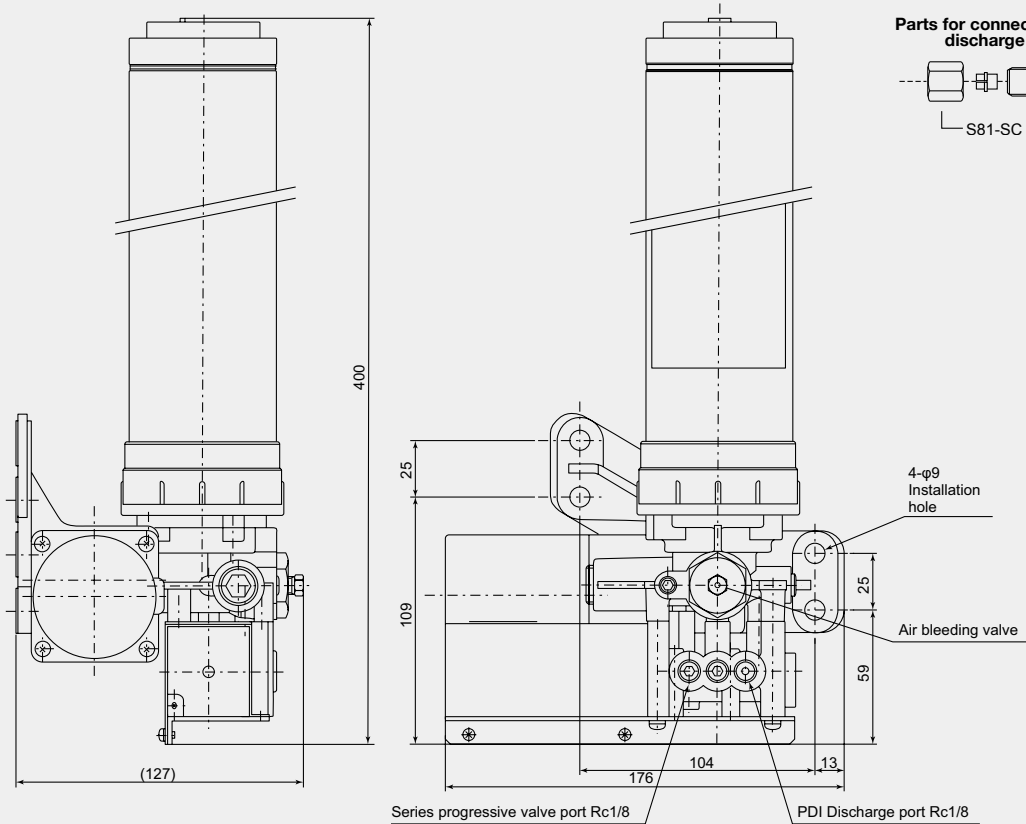
[EGM-10T-4-2C]



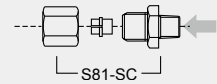
Parts for connecting to the discharge port



[EGM-10T-4-7C]



Parts for connecting to the discharge port



[EGM-10T-4-4C]