

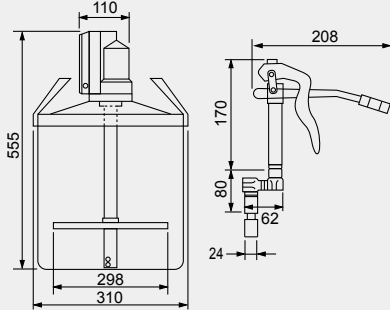
Grease filler pump

Pneumatic pump for pail _____

Grease can be filled pneumatically.



Dimensional drawing



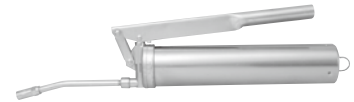
Specifications

Discharge volume	540ml/min
Discharge pressure	34.3MPa
Working air pressure	0.4 - 0.7MPa
Air consumption	315l/min(ANA)
Grease capacity	16kg
PumpWeight	6kg

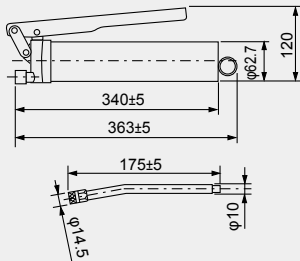
Model

Model	Part Number
P3-C	JC0005

Hand Grease gun _____



Dimensional drawing



Specifications

Discharge volume	1.2ml/Stroke
Maximum pressure	40MPa
Grease capacity	400g
Weight	1.4kg

Model

Model	Part Number
LG-400	252422

* For use with LUBE original 400cc grease cartridges

Lub pack _____



Specifications

Capacity	300g/piece
1 box	24pieces

Model

Model	Part Number
XP-0	250036